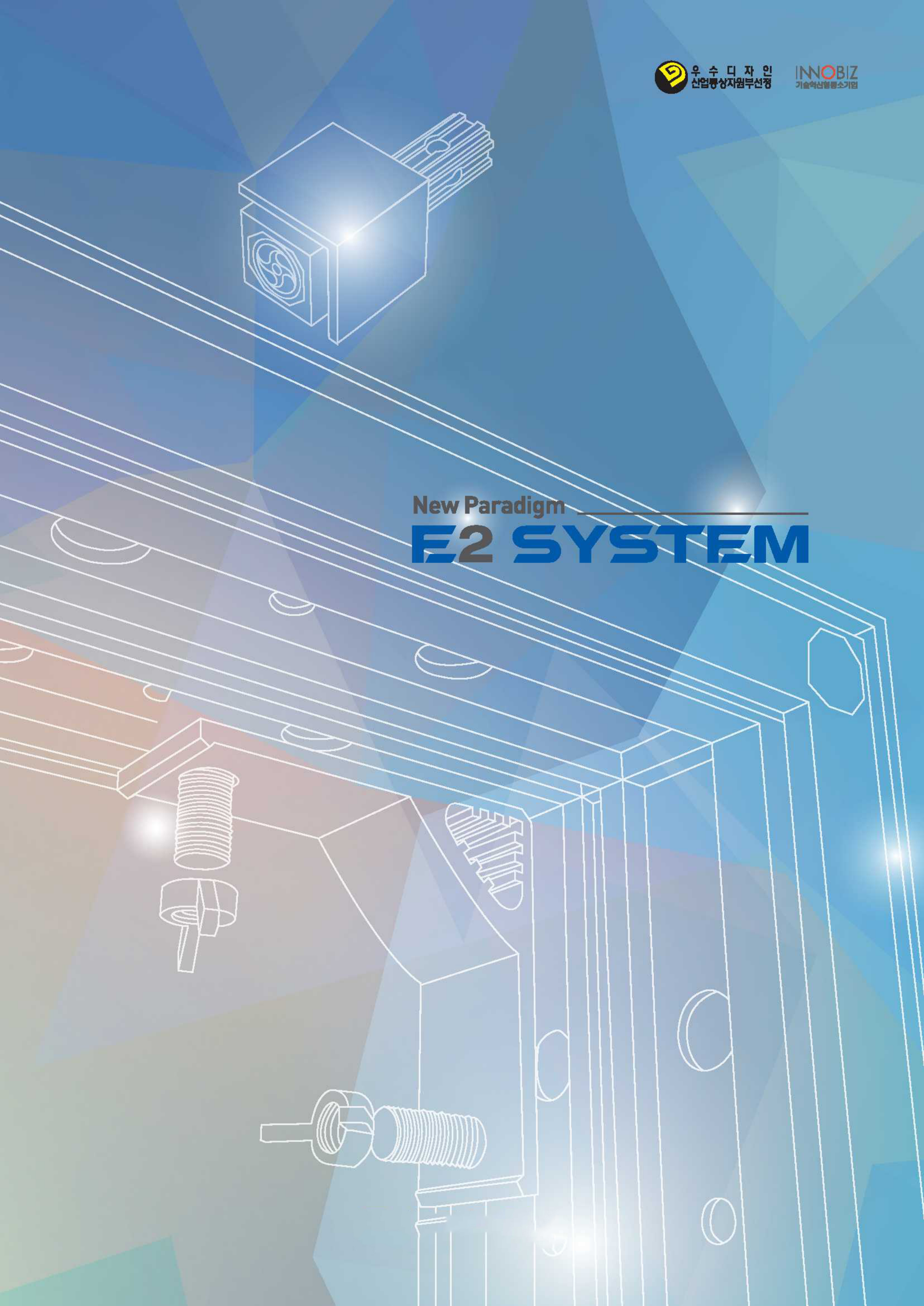


New Paradigm

E2 SYSTEM



CONTENTS

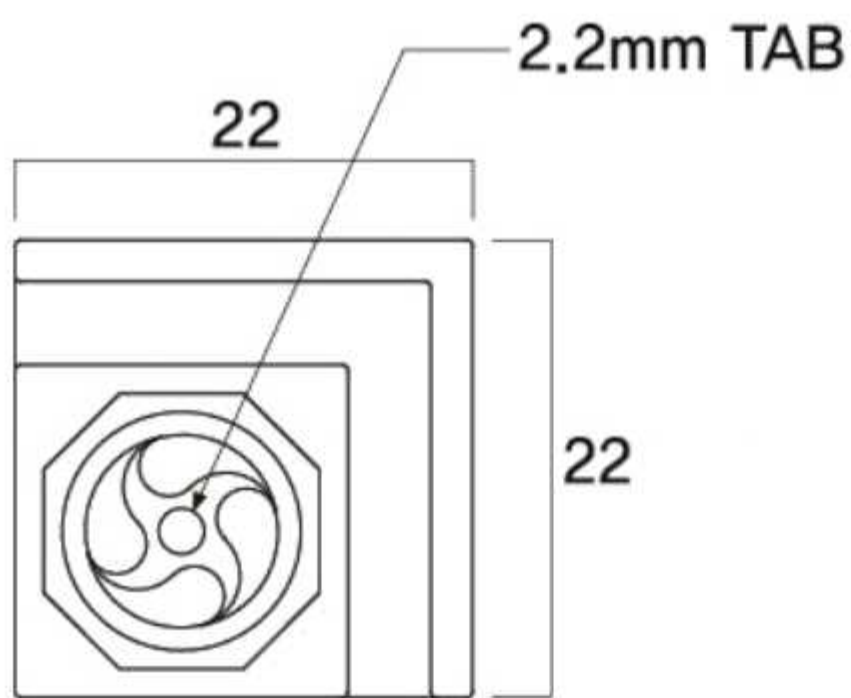
E2 SYSTEM

CUBE	1
JOINT BAR	2
BAR	3
TOWER / CORNER CLIP	4
BAR CLIP	5
MAXIMA / LIGHT	6
CHANNEL	7
BAR Ver.2	8
ASSEMBLY VIEW	9
PORTFOLIO_E2 system	11

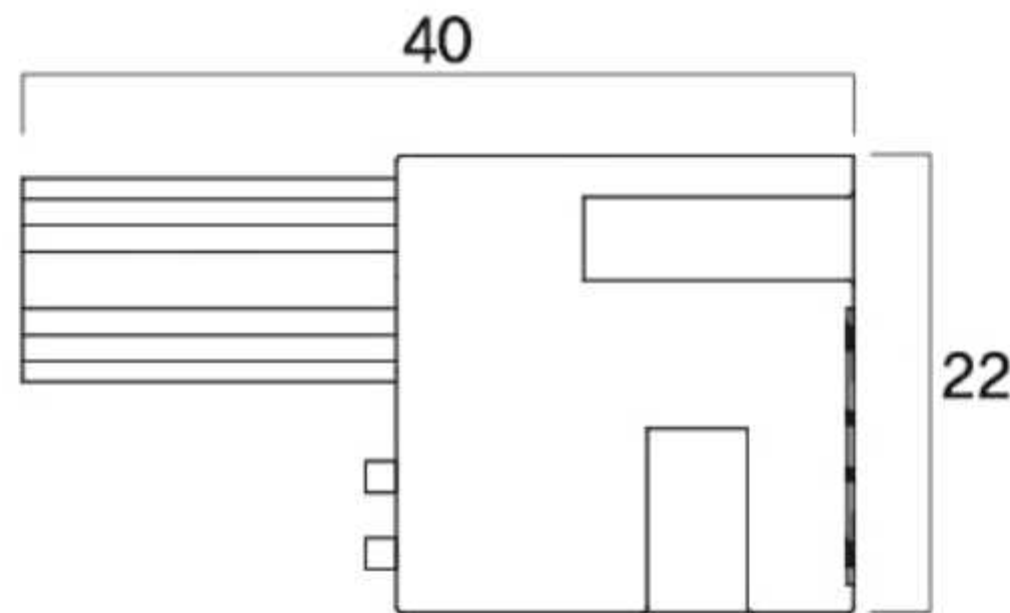


CUBE

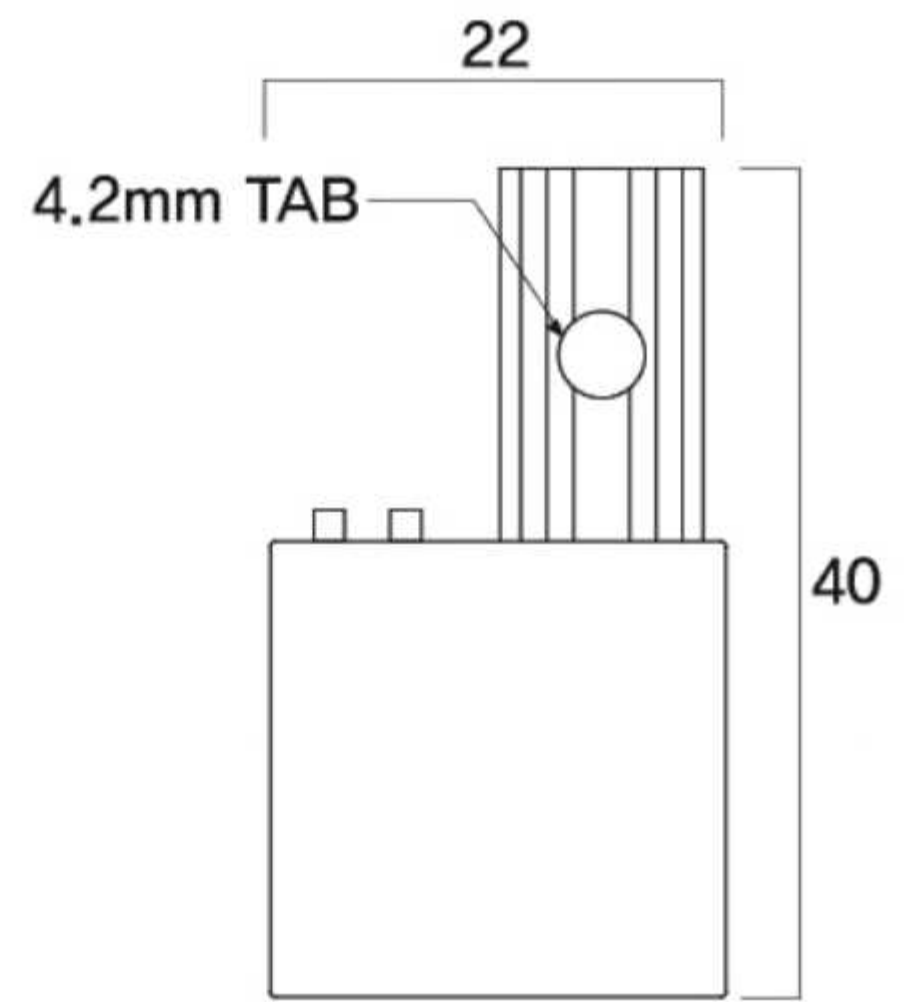
MATERIAL:ALLOY/A60 61-T5
SURFACE FINISHING:BUFFING
SIZE:250(W)x250(H)x100(D)mm
UNIT WEIGHT:



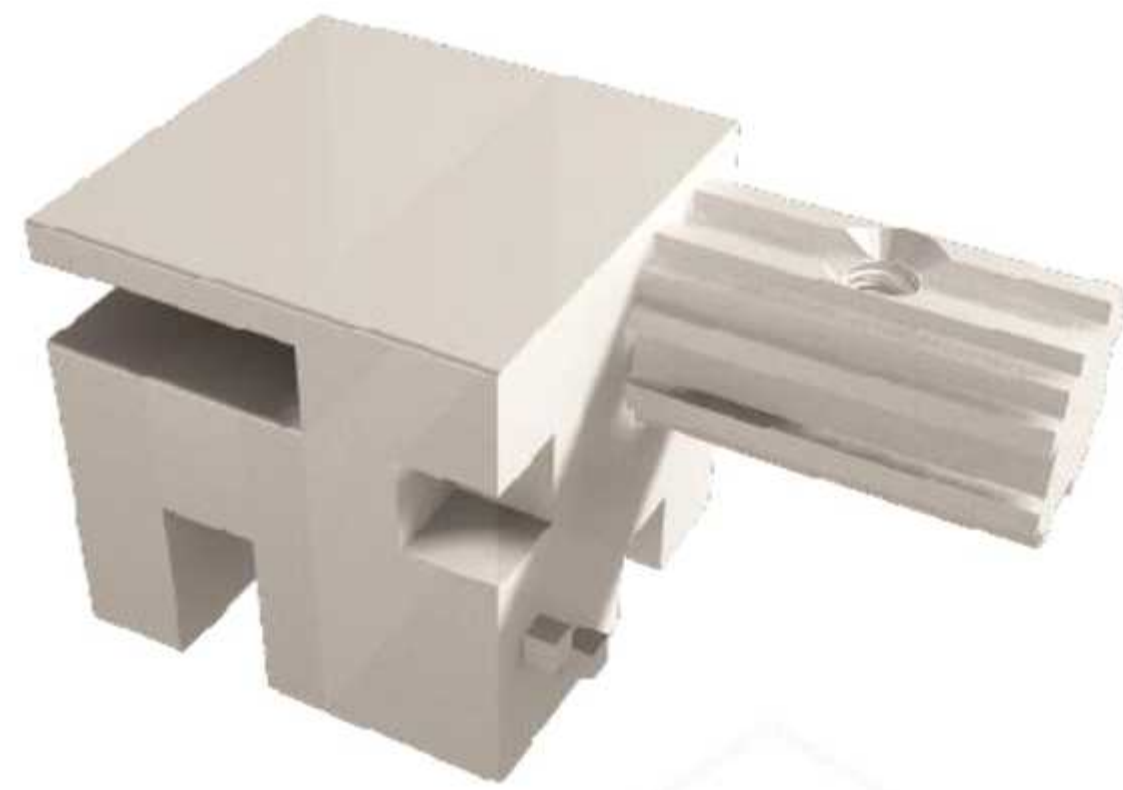
FRONT



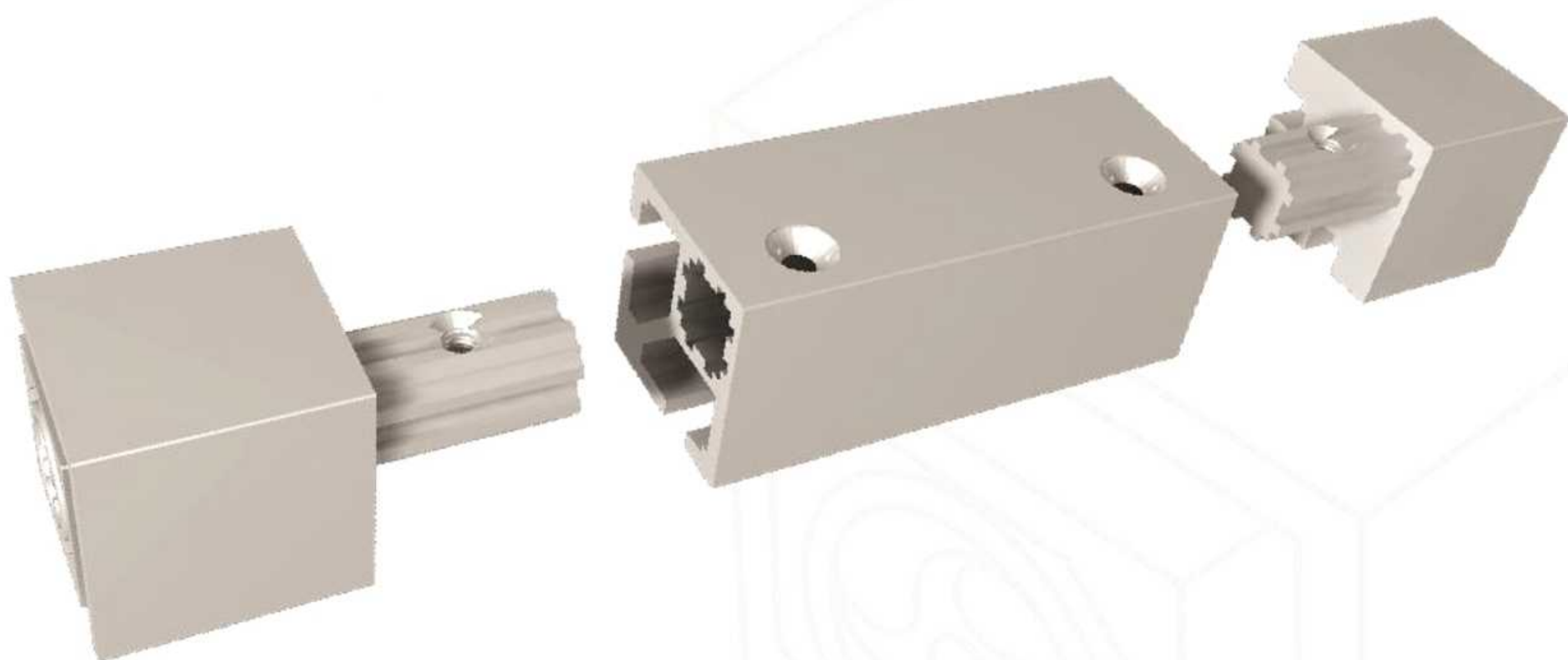
SIDE



TOP



3D Proposal

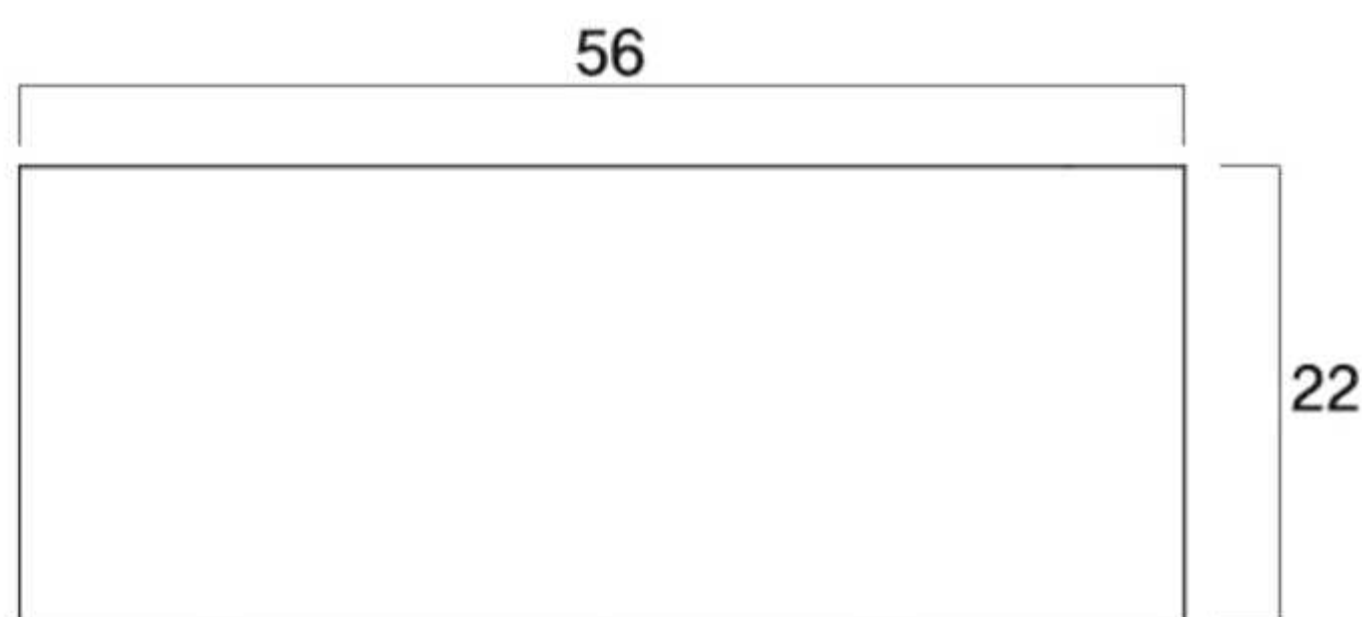


CULB + JOINT BAR 조립도

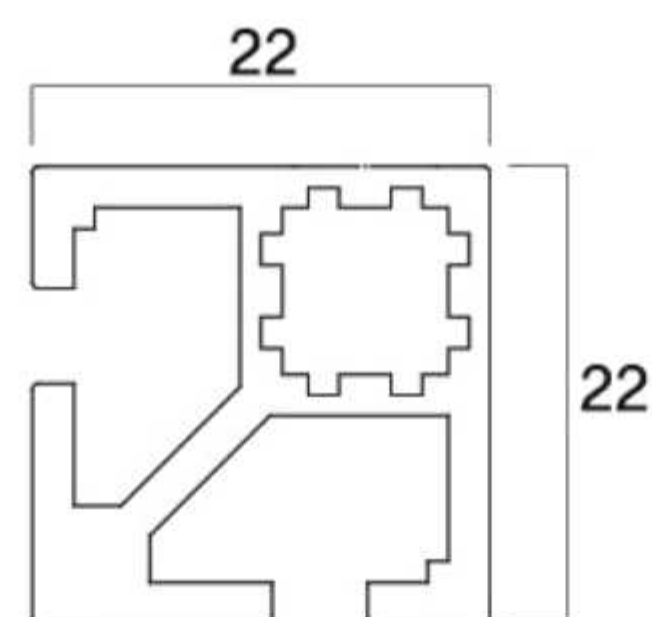


JOINT BAR

MATERIAL: JW-4756
SURFACE FINISHING: BUFFING
SIZE: 22(W)x22(H)x56(D)mm
UNIT WEIGHT:



FRONT



SIDE



3D Proposal

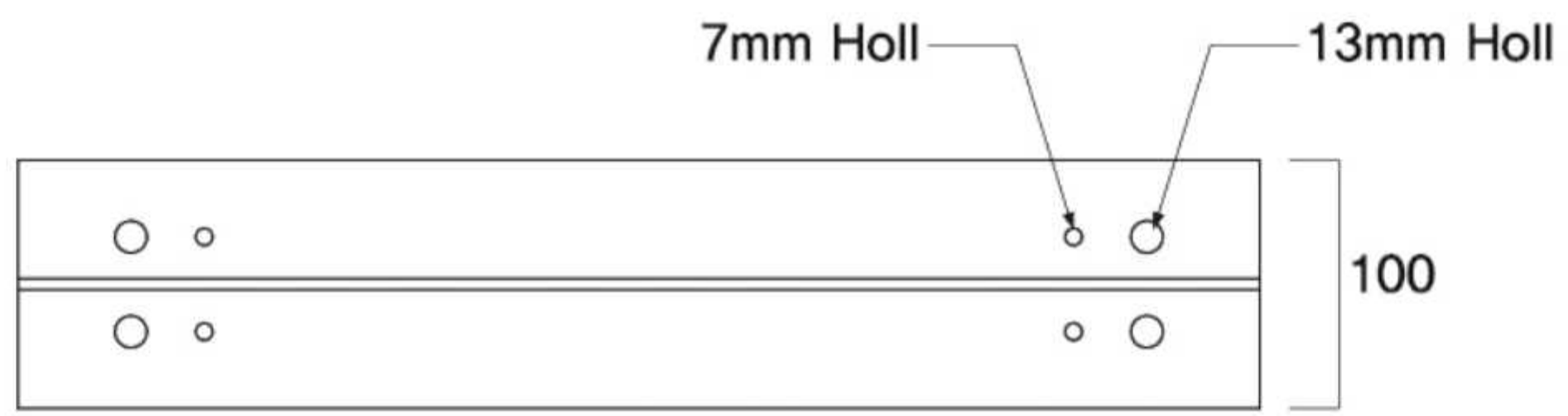


CULB + JOINT BAR 조립도

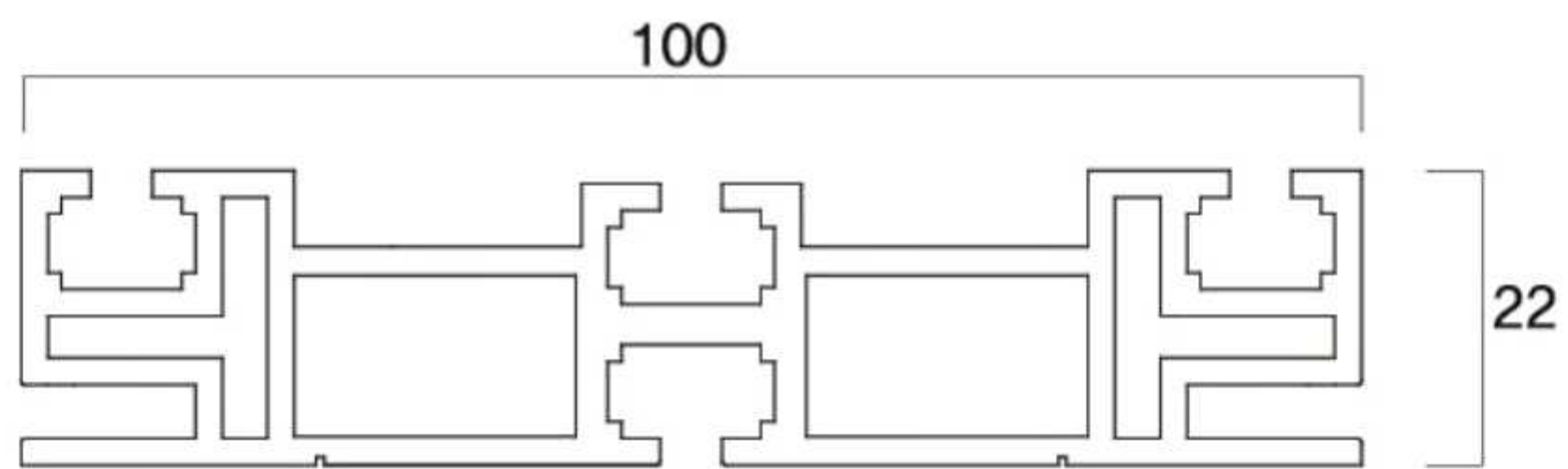


BAR

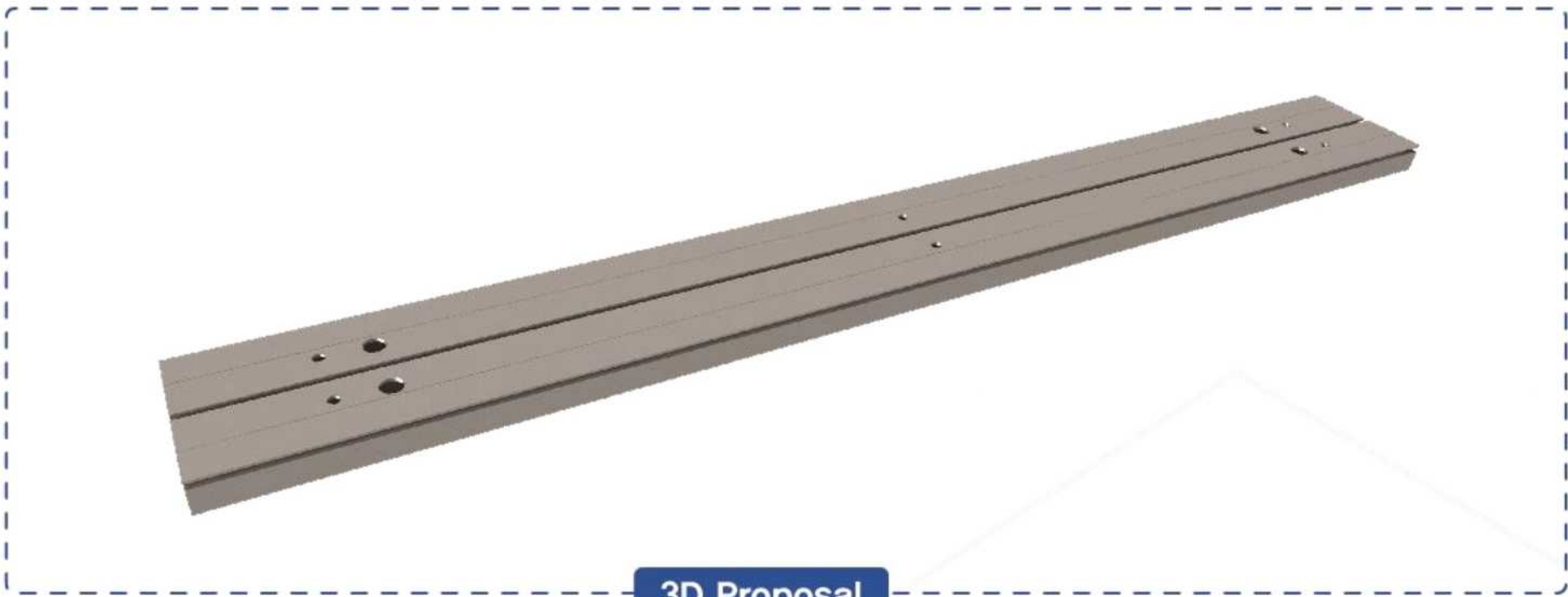
MATERIAL: JW-4755
SURFACE FINISHING: BUFFING
SIZE:
UNIT WEIGHT:



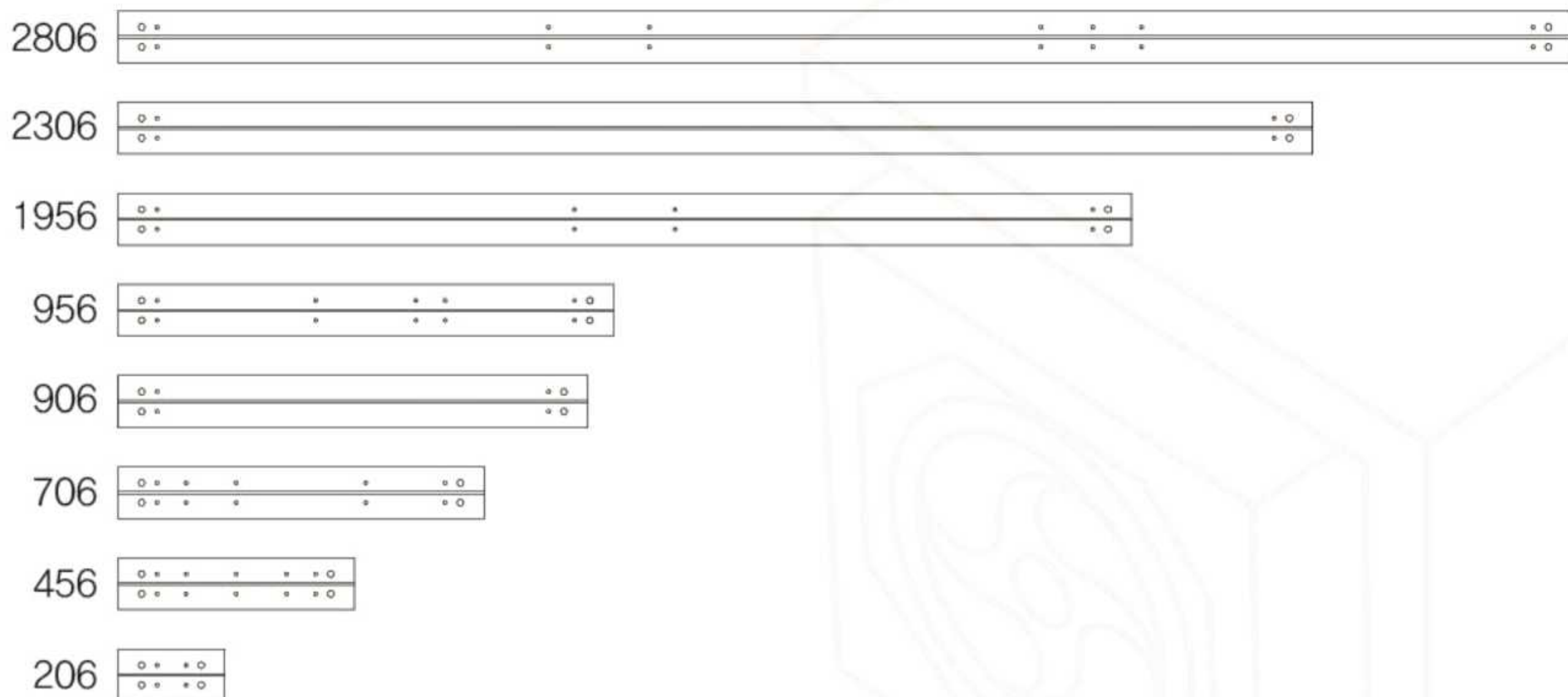
TOP



FRONT



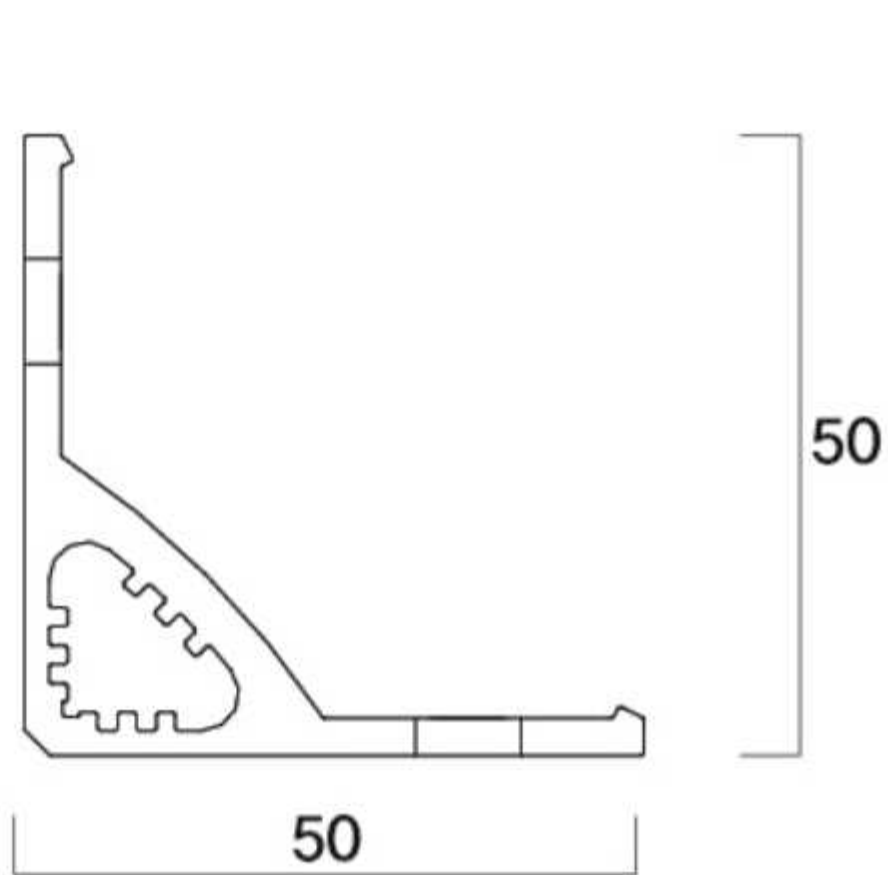
3D Proposal



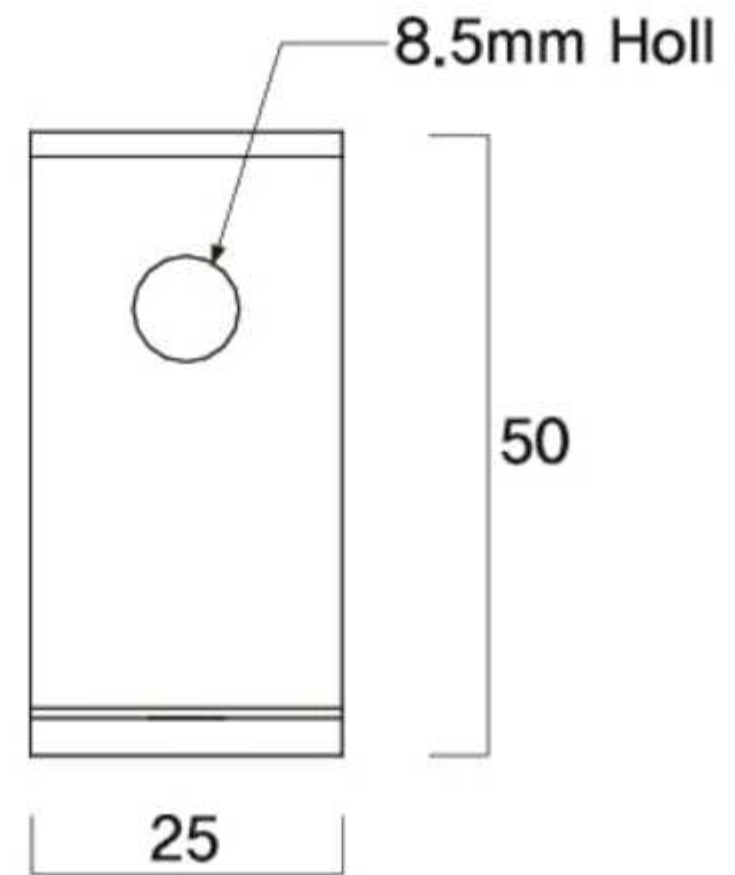


TOWER / CORNER CLIP

MATERIAL: JW-4774/JW-4786
SURFACE FINISHING: BUFFING
SIZE: 25(W)x50(H)x50(D)mm
UNIT WEIGHT:



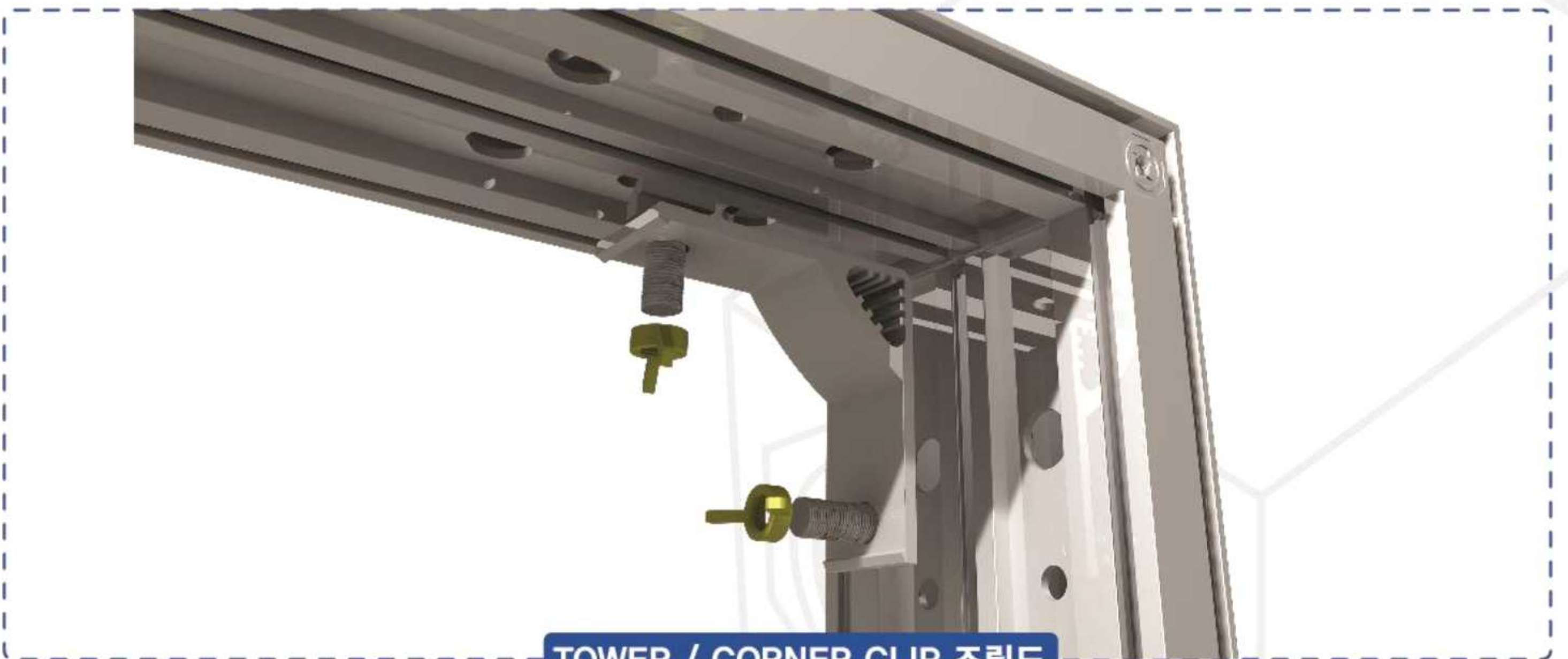
FRONT



SIDE



3D Proposal

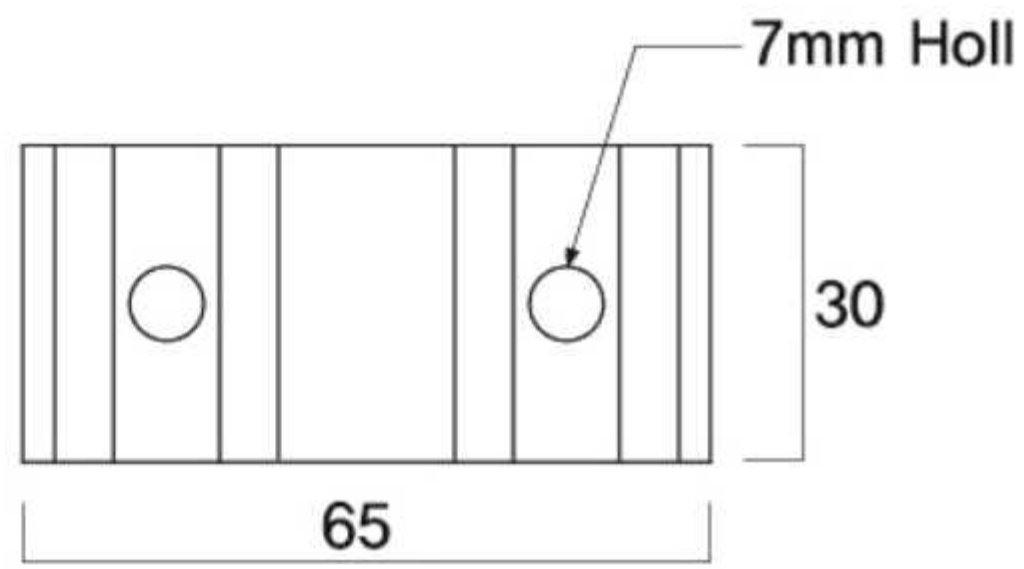


TOWER / CORNER CLIP 조립도

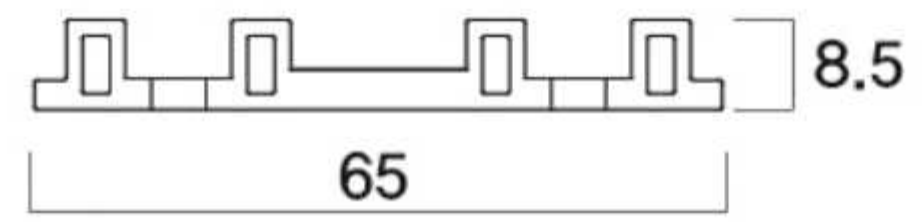


BAR CLIP

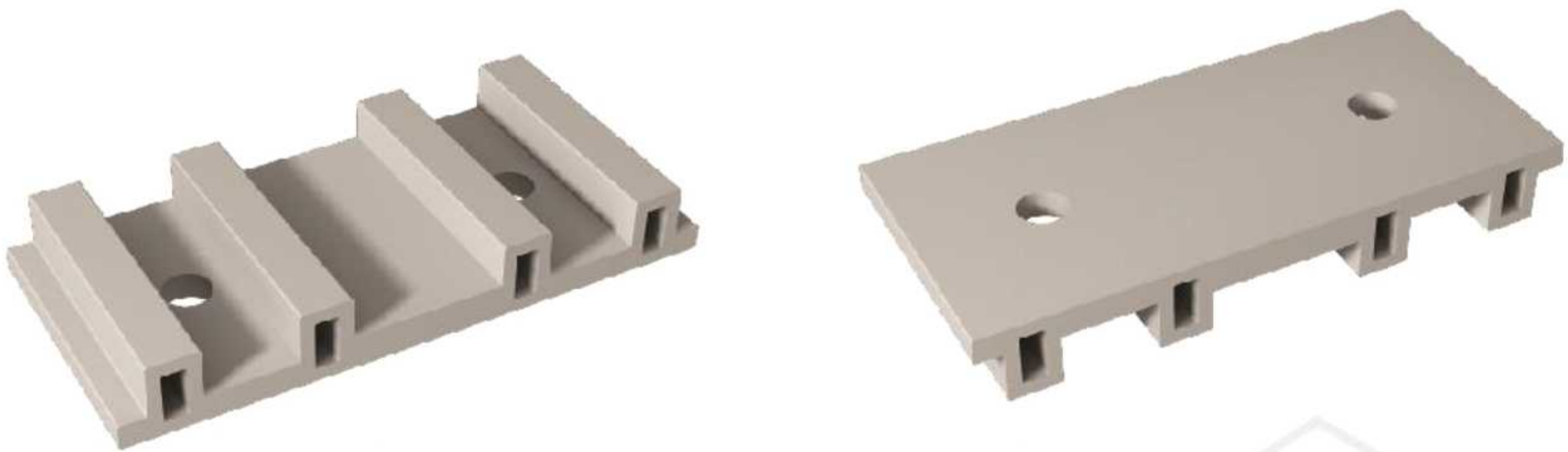
MATERIAL: JW-4779
SURFACE FINISHING: BUFFING
SIZE: 65(W)x8.5(H)x30(D)mm
UNIT WEIGHT:



FRONT



SIDE



3D Proposal

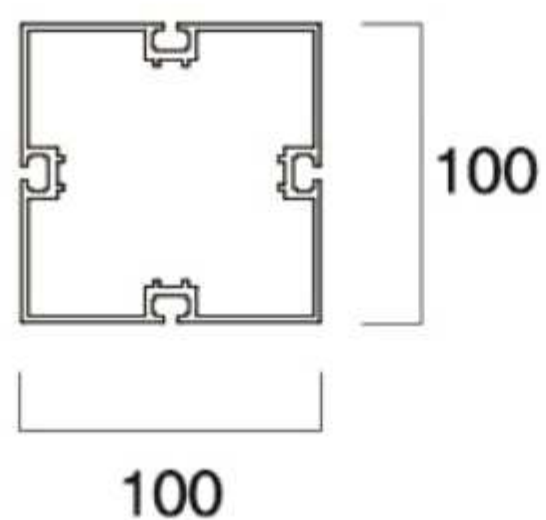


BAR CLIP + BAR 조립도

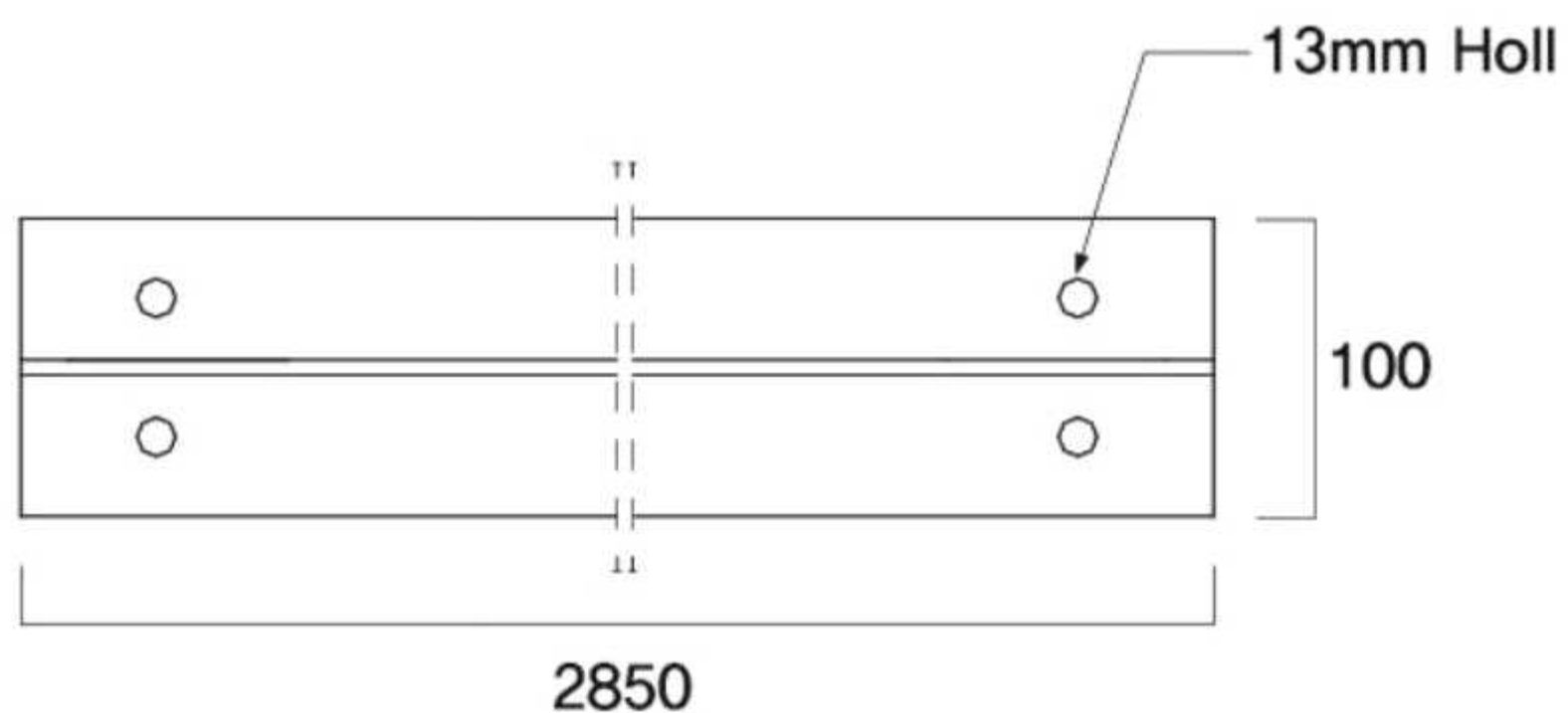


MAXIMA / MAXIMA LIGHT

MATERIAL: JW-5238/JW-5239
SURFACE FINISHING: BUFFING
SIZE: 100(H)x100(D)mm
UNIT WEIGHT:



TOP



FRONT



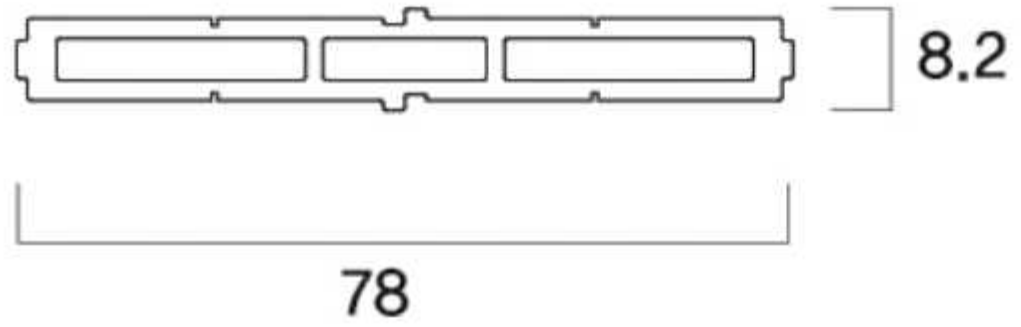
3D Proposal



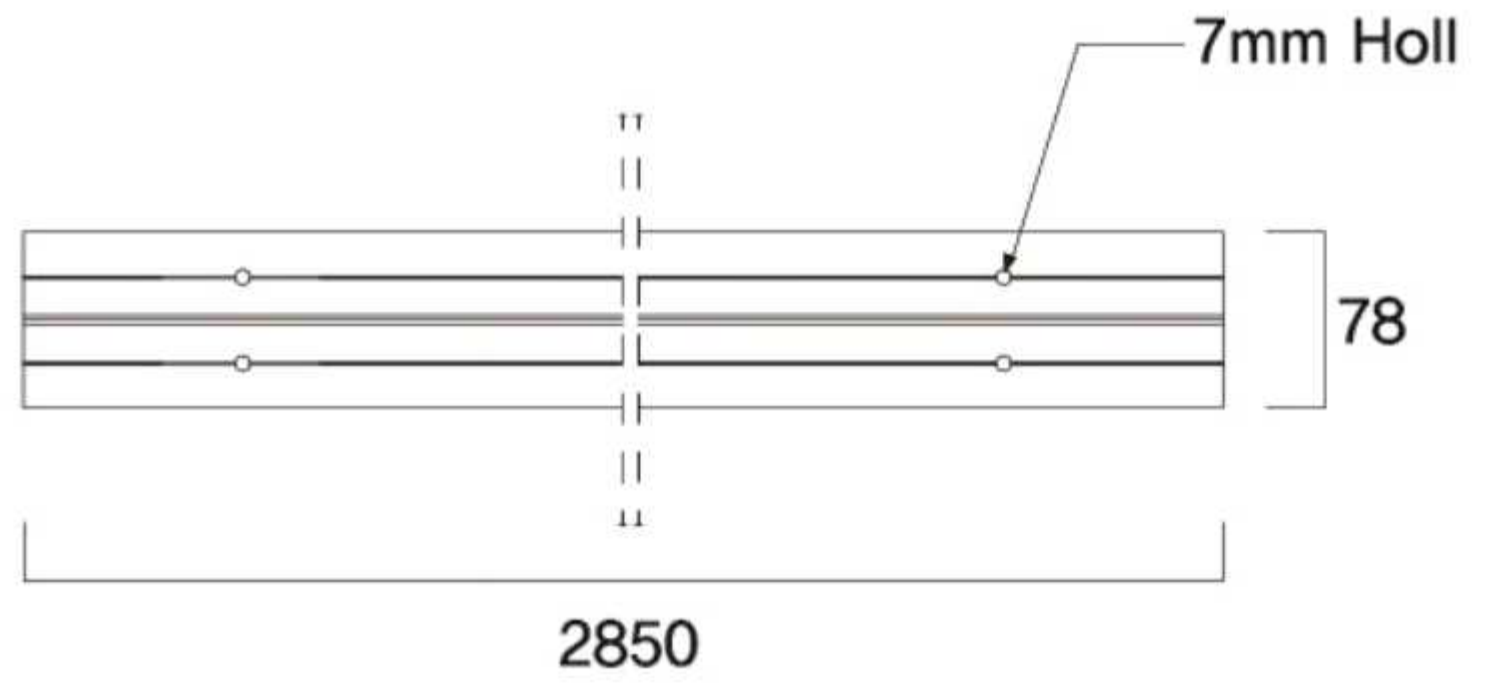


CHANNEL

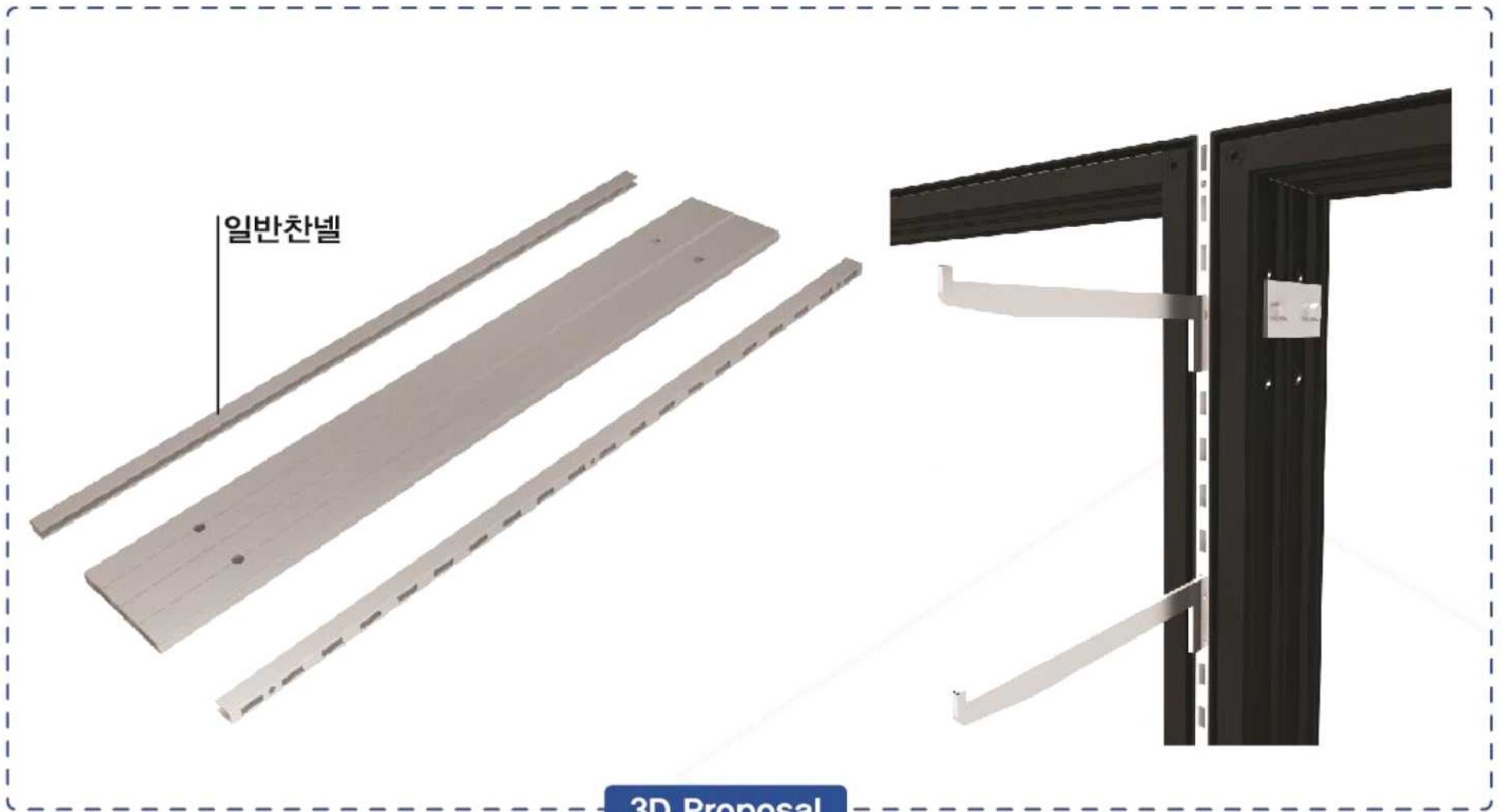
MATERIAL: JW-5674
SURFACE FINISHING: BUFFING
SIZE: 8(H)x78(D)mm
UNIT WEIGHT:



TOP



FRONT



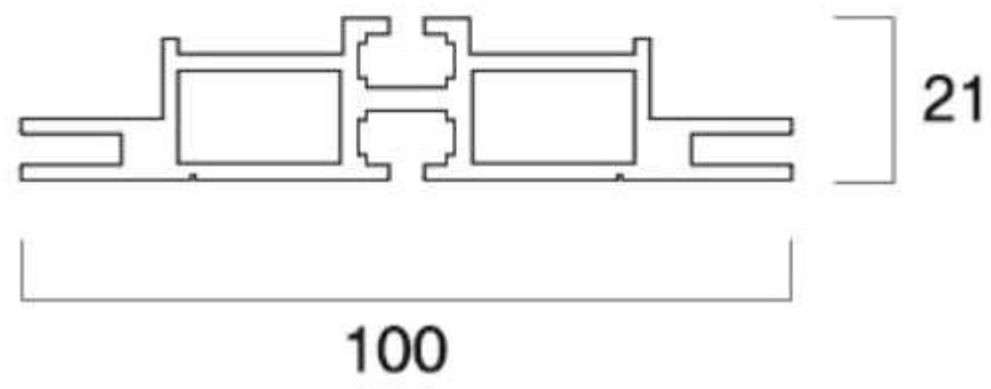
3D Proposal



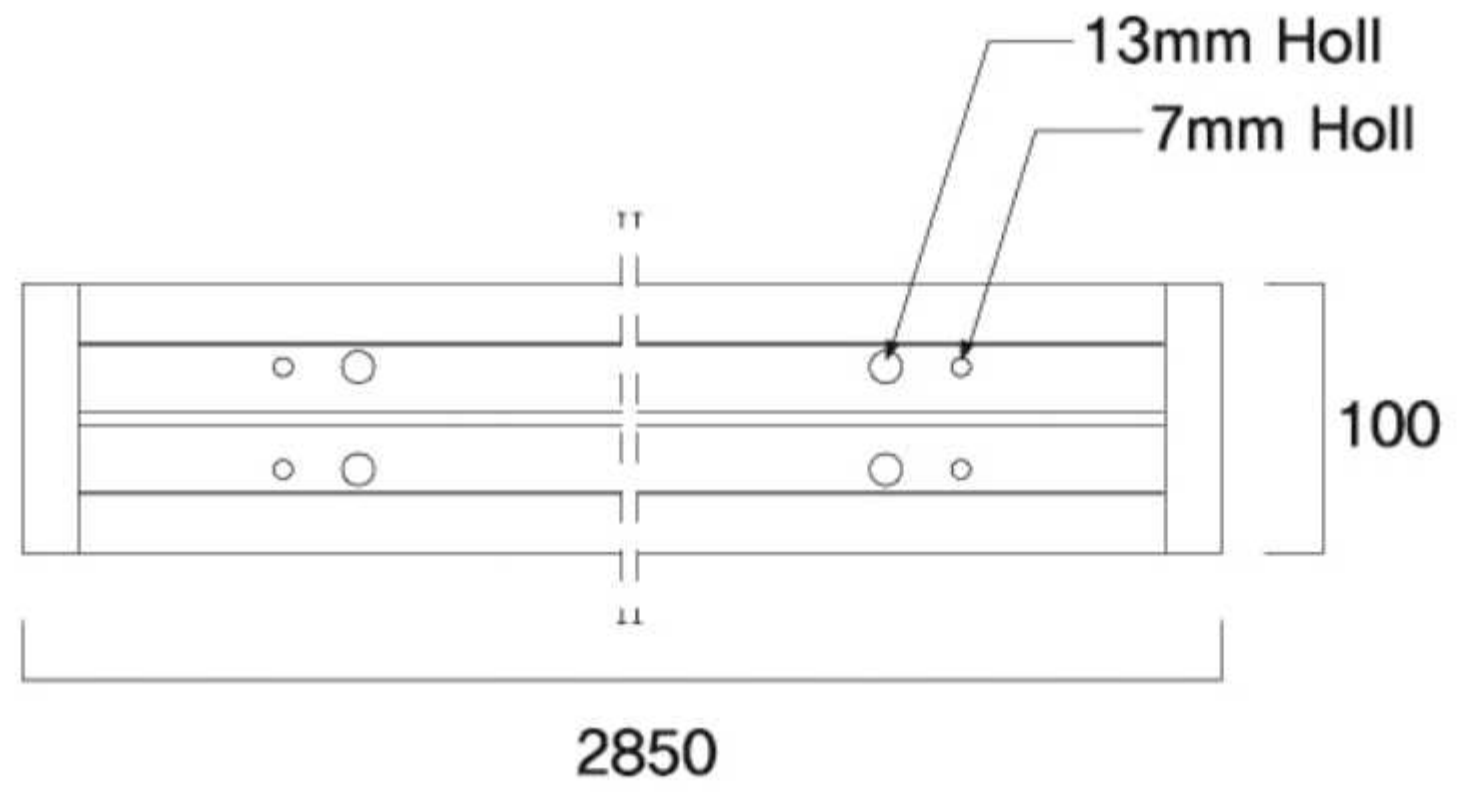


BAR Ver.2

MATERIAL: JW-5673
SURFACE FINISHING: BUFFING
SIZE: 100(H)x21(D)mm
UNIT WEIGHT:



TOP



FRONT



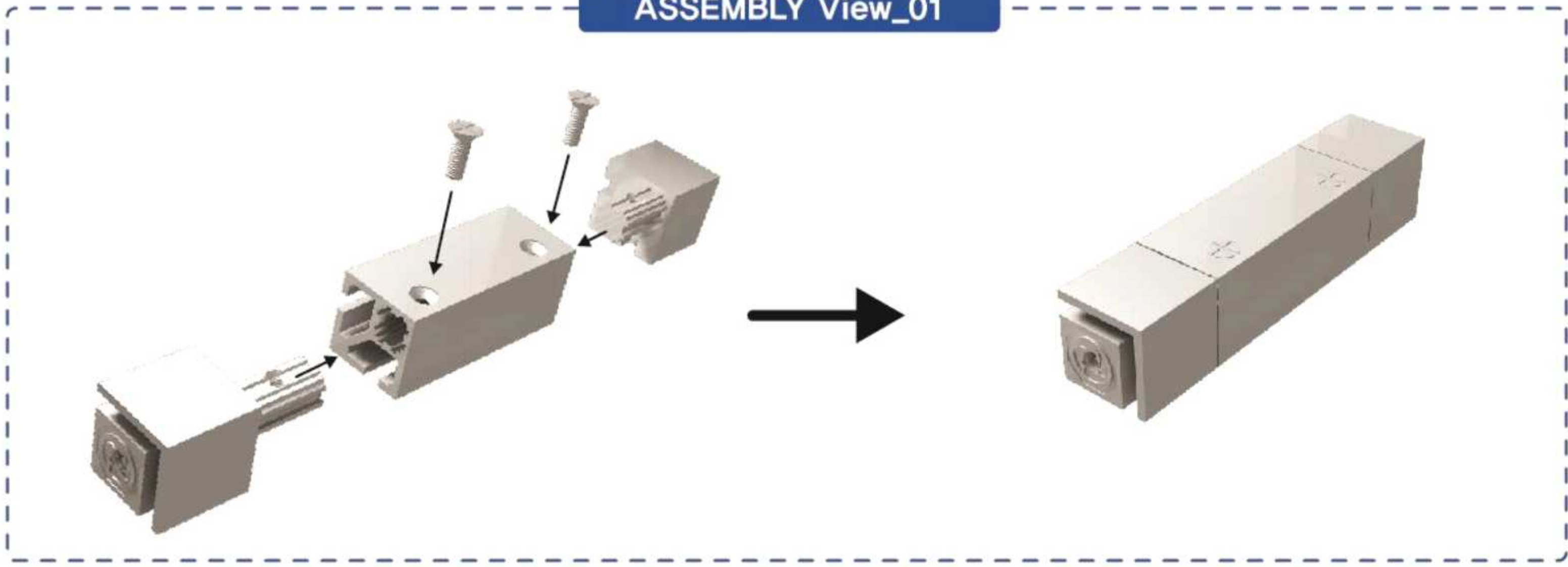
3D Proposal



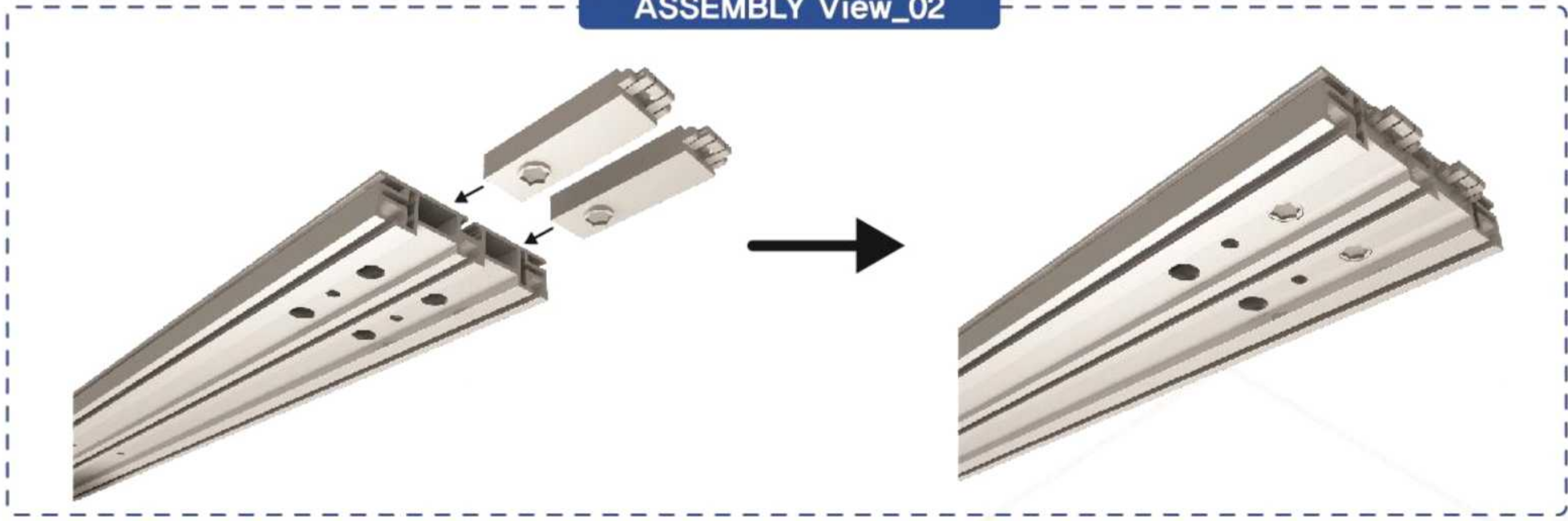


ASSEMBLY VIEW

ASSEMBLY View_01



ASSEMBLY View_02



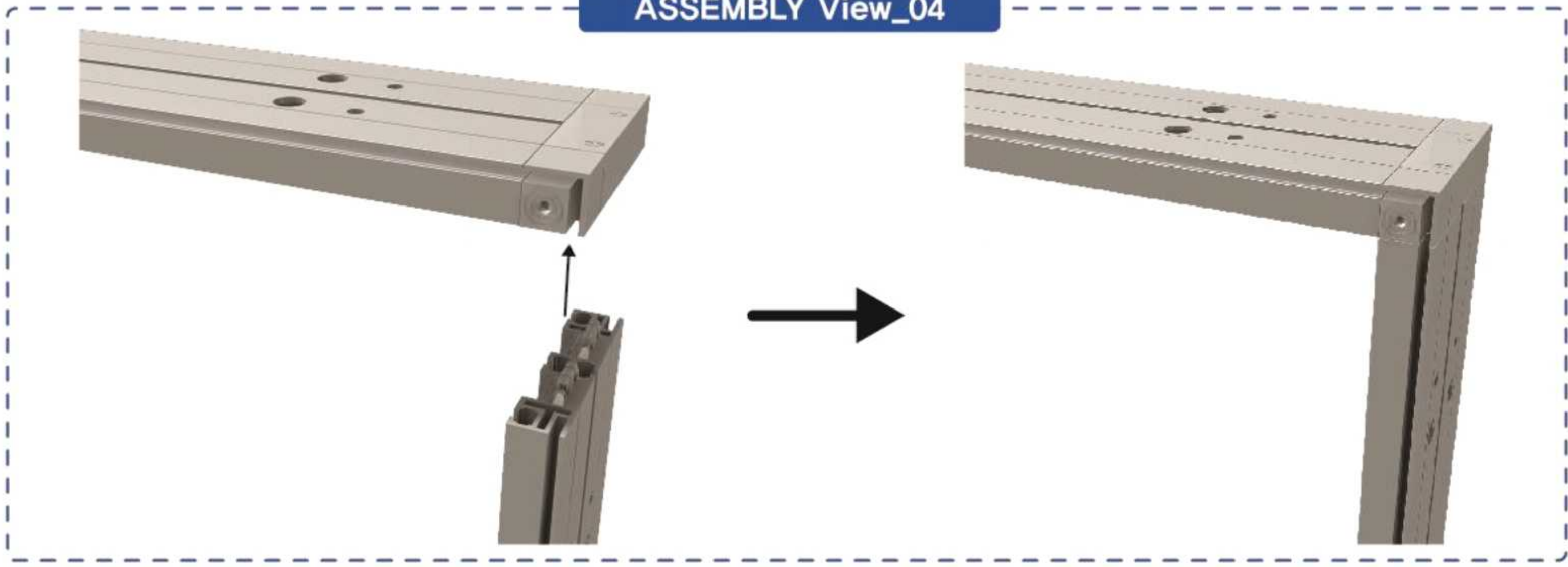
ASSEMBLY View_03



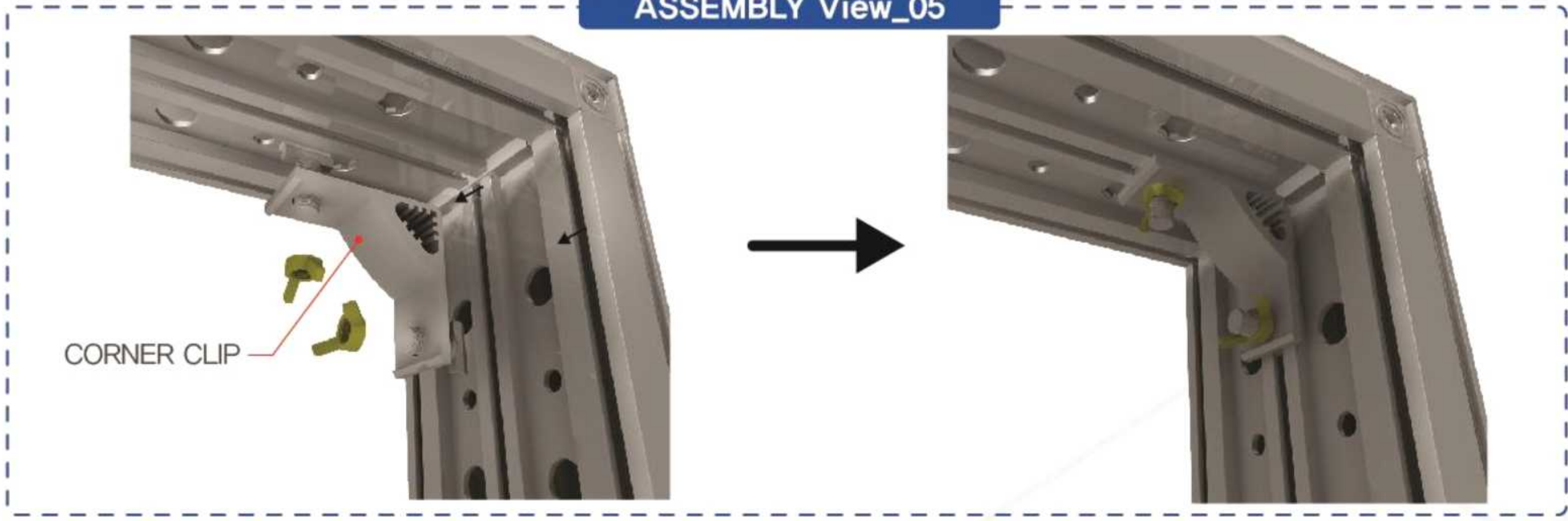


ASSEMBLY VIEW

ASSEMBLY View_04



ASSEMBLY View_05



ASSEMBLY View_06

